



Light Series

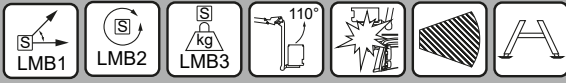
P145V

Light

Telescopic platform with movable cage boom
mounted on 3.5 tons van



Standard equipment



Extra equipment/Options



Technical specifications*

Max. working height:	14.6 m
Max. outreach:	8.1 m
Cage load capacity:	200 kg
Total weight:	3500 kg
Payload capacity:	150 kg
Platform rotation:	460°
Safe working angle:	2°/5°
Isolation:	1000V

* Exact specifications vary based on the individual build and chosen options.

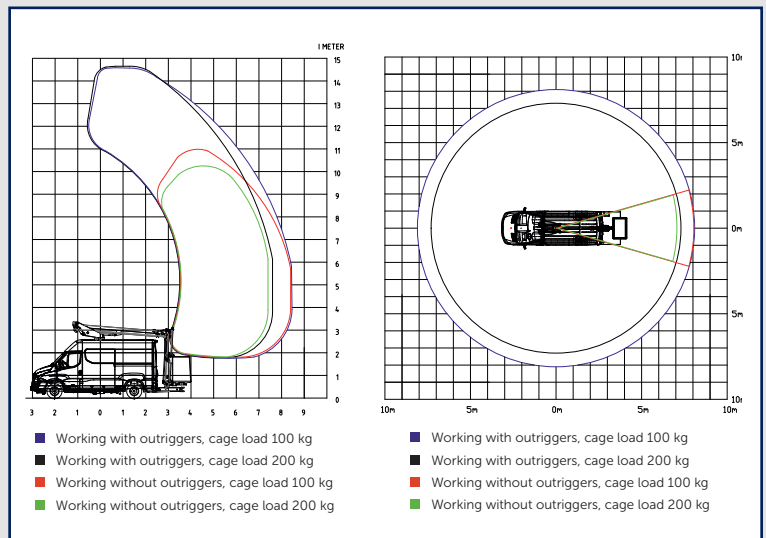
Description

As the name implies, the Light Series is made for smaller and lighter vehicles up to a maximum weight of 3.5 tons. The platforms are also lighter in build, but still very stable due to their high-strength steel construction and the angles of the booms. The Light Series has all the necessary features as well as a 110° movable cage boom and the most essential sensors. The Light Series is perfect for jobs in tight spaces such as cities, where you need to be able to get around with ease and without disturbing traffic.

Additional specifications:

Short wheelbase. 110° movable cage boom. A-frame outriggers. Electric/hydraulic control. Galvanized subframe. Home function. Operating without outriggers. Electronic cabin protection. Various flashlights. Horizontal outreach is adjusted according to cage load - from 100 to 200 kg.

Diagrams



Images



The images in this literature may show options. Danilift A/S reserves the right to change technical information without notice.